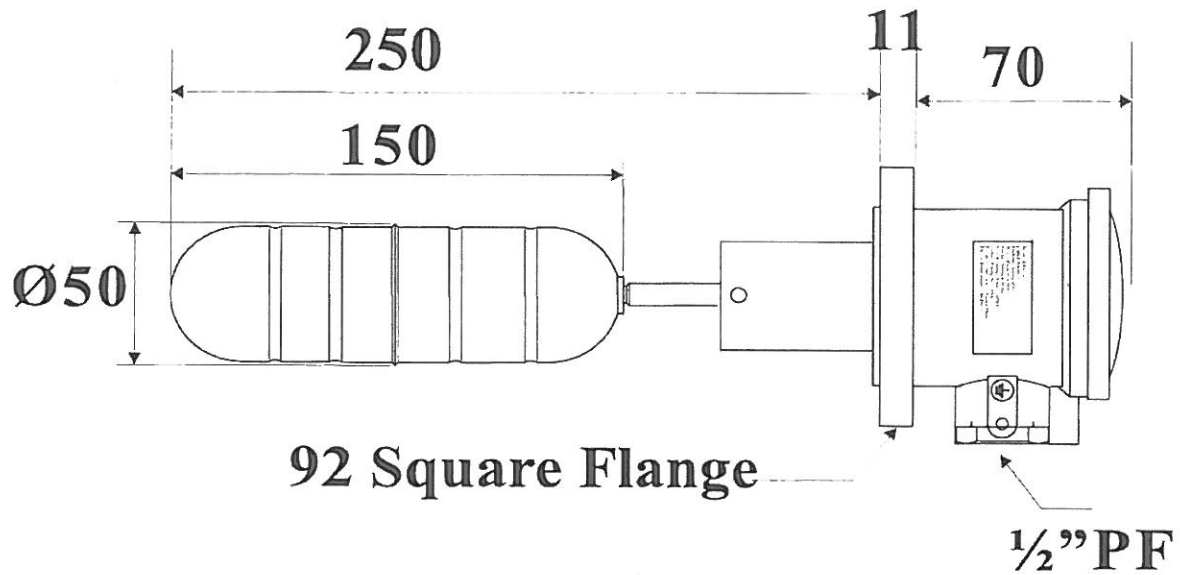




# Level Control For Process Automation



## LHS-7051

### Specifications

#### Technical Data:

Model No.	LHS-7051
Process Connection:	<input type="checkbox"/> 92 x 92 Square Flange
Float Dimension & Material:	Ø50x150 , SUS 316
Float Specific Gravity(S. G.)	0.55
Process Pressure Maxi.:	30 Bar
Switch Contact & Contact Rating:	Form C, SPDT , 5A/250Vac
Process Operation Temperature	-10--100°C
Material of Wetted Parts:	SUS 304
Enclosure Rating (IP):	IP 65